

Accuride®

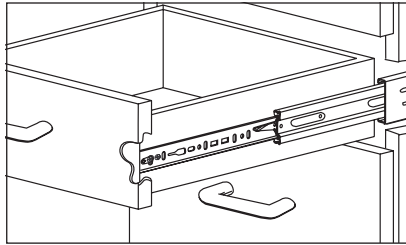
MODEL 3832CDO

32 mm System Box Drawer Slide
 Detent In and Out
 Vertical Drawer Adjustment Cam
 Optional Face Frame Brackets

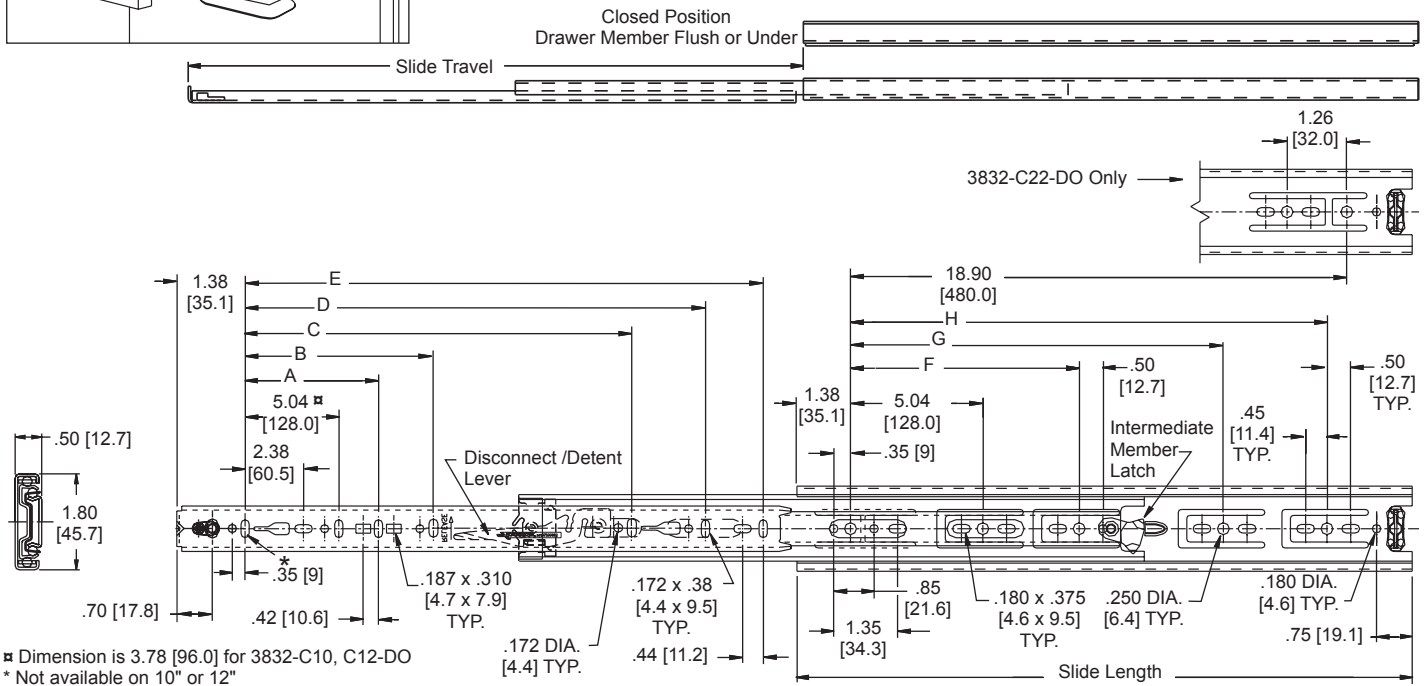
APPLICATIONS: For use on keyboard shelves, pull-out work surfaces or box drawers. Not intended for lateral file** drawer applications. Use for side mount only. This product is covered by U.S. (5,980,007) and various foreign patents issued and/or pending.

3832CDO QUICK REFERENCE

Side space: 1/2" + 1/16 x 2
 Length: 10"-28"
 Overall slide dimensions: 1.80" x 1/2"
 Minimum drawer height: 1-7/8"
 Load Rating: 100 lbs.*



INCHES
 [mm]



□ Dimension is 3.78 [96.0] for 3832-C10, C12-DO
 * Not available on 10" or 12"

- Finish** Clear electroplate (C), black electroplate (CB) finish
- Length** 10"-28" [199 mm-700 mm]
- Side Space** .50" +0.031 / -0.0 [12.7 mm +.8 / -0.0]
- Travel** Full extension
- Height** 1.80" [45.7 mm]
- Load** 100 lbs. [45.5 kg.] per pair*
- Disconnect** Front, handed lever
- Mounting** Side, optional face frame brackets
- Hardware** Flat head 6 mm Euro System screw or #8 pan head screw
- Ball Bearings** Steel
- Features** Detent open and closed; drawer member vertical cam adjustment; silenced open and closed.

Part Number	Slide Length	Slide Travel	A	B	C	D	E	F	G	H
3832-C10-DO	9.84 [250]	9.57 [243]					7.56 [192]			
3832-C12-DO	11.81 [300]	12.00 [305]					9.52 [242]	8.82 [224]		
3832-C14-DO	13.78 [350]	14.00 [356]					11.50 [292]	8.82 [224]		
3832-C16-DO	15.75 [400]	16.00 [406]					13.47 [342]	8.82 [224]	12.60 [320]	
3832-C18-DO	17.72 [450]	18.00 [457]			12.60 [320]		15.43 [392]		13.86 [352]	
3832-C20-DO	19.69 [500]	20.00 [508]			12.60 [320]		17.40 [442]		16.38 [416]	
3832-C22-DO	21.65 [550]	22.00 [559]			12.60 [320]	16.38 [416]	19.37 [492]		13.86 [416]	
3832-C24-DO	23.62 [600]	24.00 [610]	8.82 [224]		16.38 [416]		21.34 [542]	8.82 [224]	13.86 [416]	18.90 [480]
3832-C26-DO	25.59 [650]	26.00 [660]	8.82 [224]		16.38 [416]	21.42 [544]	23.31 [592]	8.82 [224]	13.86 [416]	21.42 [544]
3832-C28-DO	27.56 [700]	28.00 [711]	8.82 [224]	11.34 [288]	16.38 [416]	21.42 [544]	25.28 [642]	8.82 [224]		21.42 [544]

* Load rating based on an 18" slide mounted in a 16" wide drawer cycled 50,000 times.
 ** A lateral file drawer is wider than it is deep.
 • Clear and white finishes are RoHS compliant

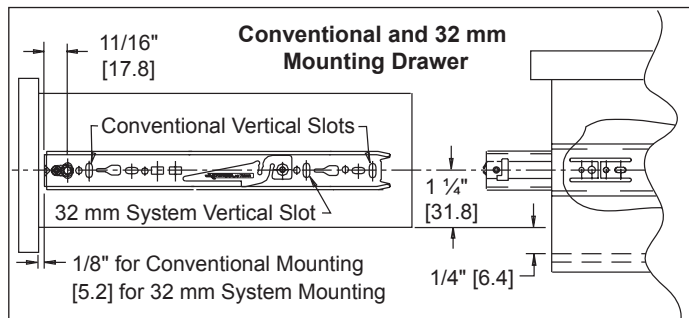
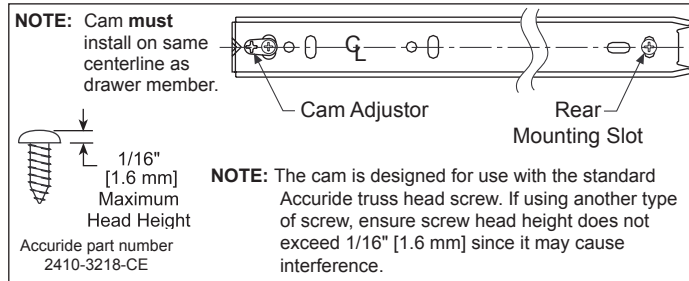
Installation Instructions

Install Cabinet Member

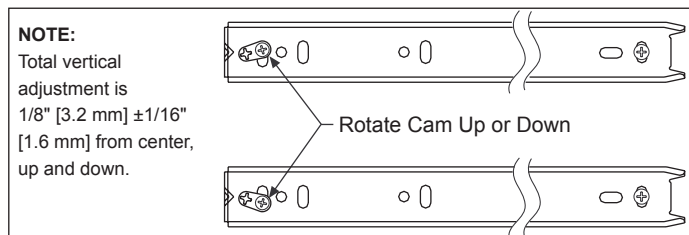
1. Separate slide members by lifting up the left hand disconnect lever and pushing down the right hand lever.
2. Install cabinet (large) member first. For applications with an overlay drawer front, refer to Figure 1 for conventional mounting and Figure 2 for 32 mm System mounting. For applications with an inset drawer front, set the slide back the thickness of the drawer front plus 1/8" [3.2 mm].

Install Drawer Member

3. Install the drawer member with a screw through the cam adjuster and through a hole or slot at the rear.

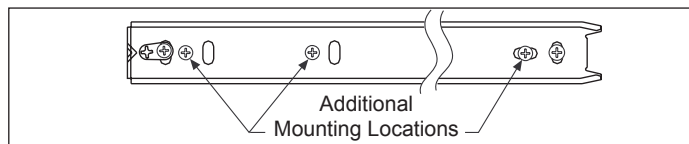


4. Make sure the ball bearing retainers in the cabinet side are fully forward. Install drawer into cabinet. Close the drawer.
5. Open the drawer and rotate the cam with a Phillips or Pozi screwdriver to vertically position the drawer in relation to the cabinet.



6. Install additional set screws to secure.

NOTE: Install drawer pulls or knobs **after** set screws are in place.



Specifications

Complete your slide order for Accuride models 3832-DO by specifying the following:

	10 Pair	C	3832	-C18	-DO	D
Total Required Slides	_____	_____	_____	_____	_____	_____
Slide Finish	_____	_____	_____	_____	_____	_____
Slide Model	_____	_____	_____	_____	_____	_____
Slide Length	_____	_____	_____	_____	_____	_____
Detent Out Feature	_____	_____	_____	_____	_____	_____
Polybag Packaging	_____	_____	_____	_____	_____	_____

For the most current technical information visit www.accuride.com

Figure 1 Conventional Mounting—Cabinet

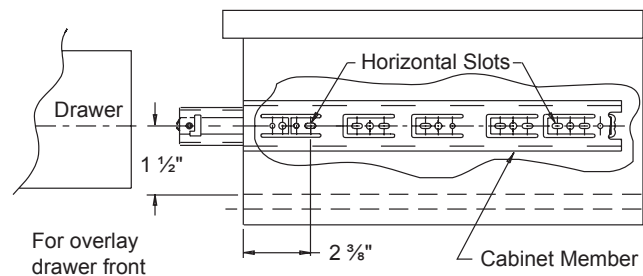
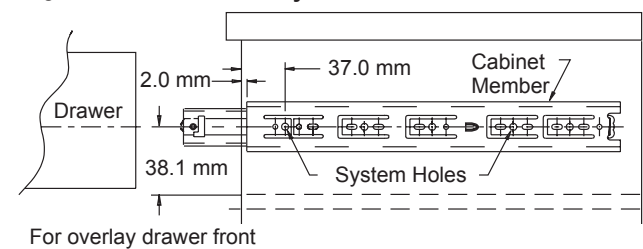


Figure 2 32 mm System—Cabinet

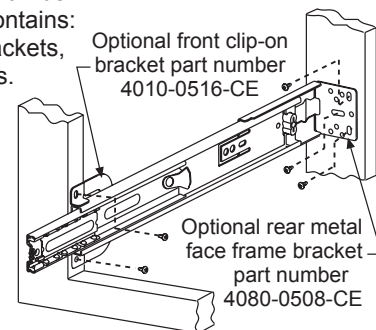


Optional Face Frame Brackets

Face frame brackets are ordered as a kit or in bulk. Brackets are available in clear zinc finish only. Mounting screws are not included.

To order kits, specify part number 4180-0322-XE. Each kit contains: 2 front brackets, 2 rear brackets, and installation instructions. Order 1 kit per pair of slides.

For **bulk**, order 2 front brackets (P/N 4010-0516-CE) and 2 rear brackets (P/N 4080-0508-CE) per pair of slides.



Packaging

Distributor (D) Pack: All lengths are packaged 10 pair per box. Polybag includes one pair of slides with mounting screws.

Bulk (P) Pack: All lengths are packaged 10 pair per box. Slides and screws are ordered and packaged separately.

Specifications

Slide members and ball retainers: Cold rolled steel
Ball bearings: Carburized steel
Clear and white finishes are RoHS compliant

NOTE: Specifications, materials, prices, terms, and delivery are subject to change without notice.

Accuride

ACCURIDE INTERNATIONAL INC.

12311 Shoemaker Avenue
Santa Fe Springs, CA 90670

TEL (562) 903-0200
FAX (562) 903-0208
www.accuride.com

Manufacturing, Engineering, and Sales
United States • Germany • Japan • Mexico • United Kingdom • China

Copyright © 2007 Accuride International Inc. 3700-9465(1110)-MK078-R4-0408